

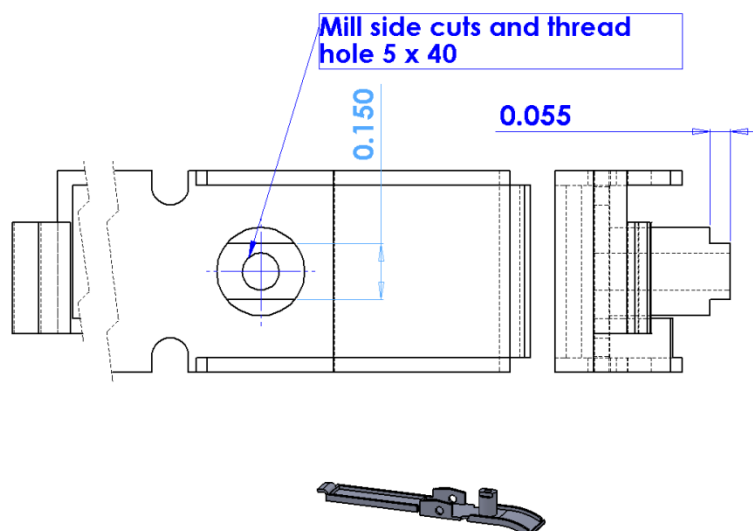


**B R I L E Y**  
*A Legacy of Shooting Innovation.*

## Fitting Instructions for Briley EZ Lever for Benelli and Franchi Affinity

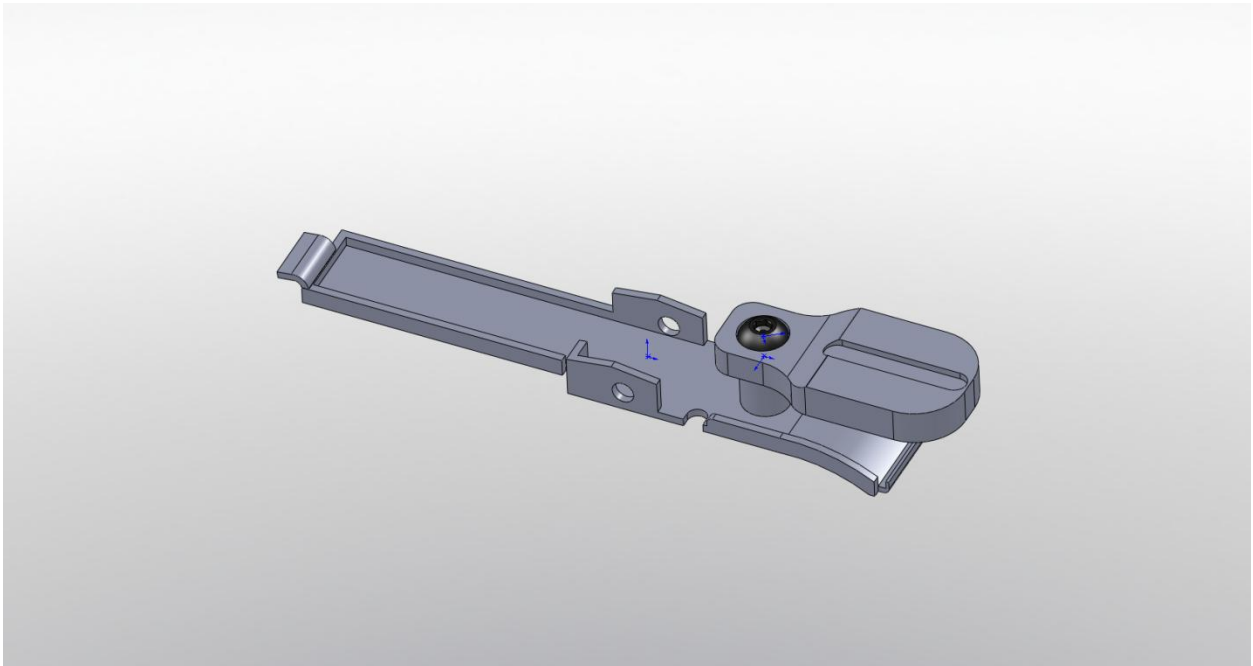
Make sure your firearm is unloaded. Disassemble your shotgun as per your owner's instruction manual including removal of the bolt. Using a suitable punch and hammer, remove the roll pin which retains the cartridge latch. The roll pin, which is tightly retained, can either be removed from the top or bottom of the receiver depending on the model you have.

Once the cartridge latch is removed it will need to be milled and drilled as per **Diagram 1**.



**Diagram 1**

The cuts are necessary to prevent the lever from rotating around the pin. Once modified assemble the gun. Apply a small amount of Loctite (Available at your local hardware) to the button head screw and secure the lever to the cartridge latch. Lever should point towards the muzzle of the gun to operate correctly. See **Diagram 2**



**Diagram 2**