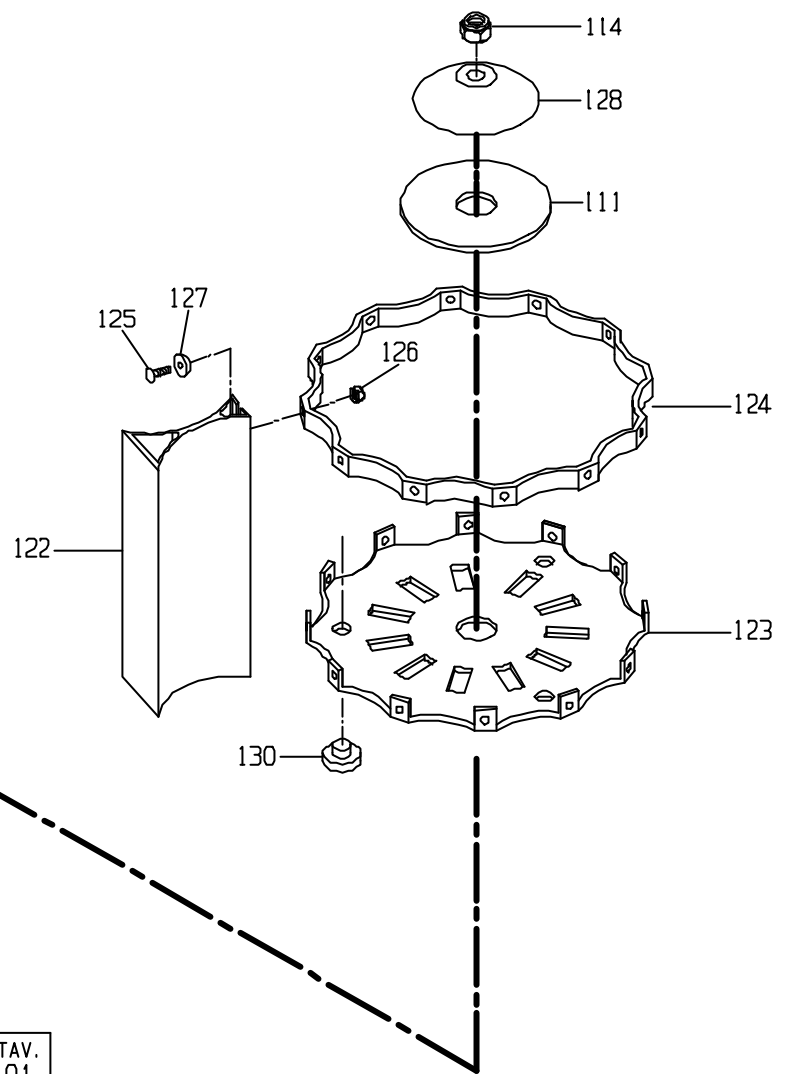


1	FIXED FISSA	TAV. 01
---	----------------	------------



1	FIXED FISSA	TAV. 03
---	----------------	------------